

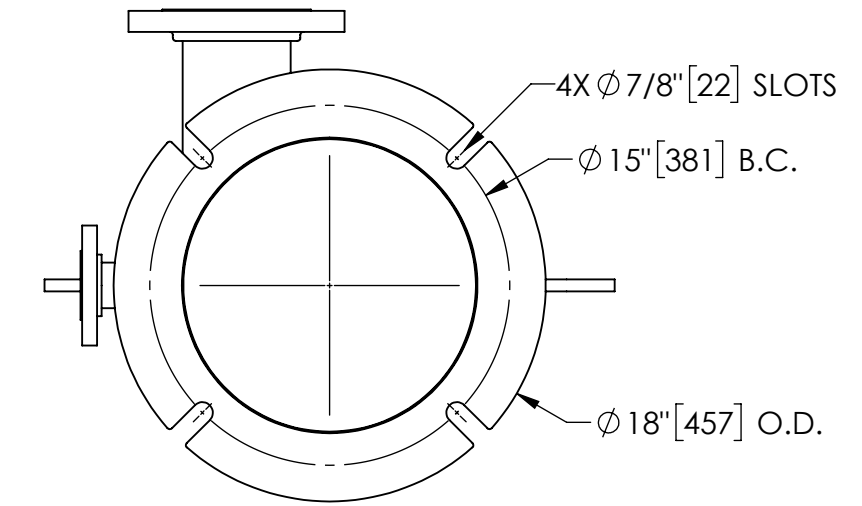
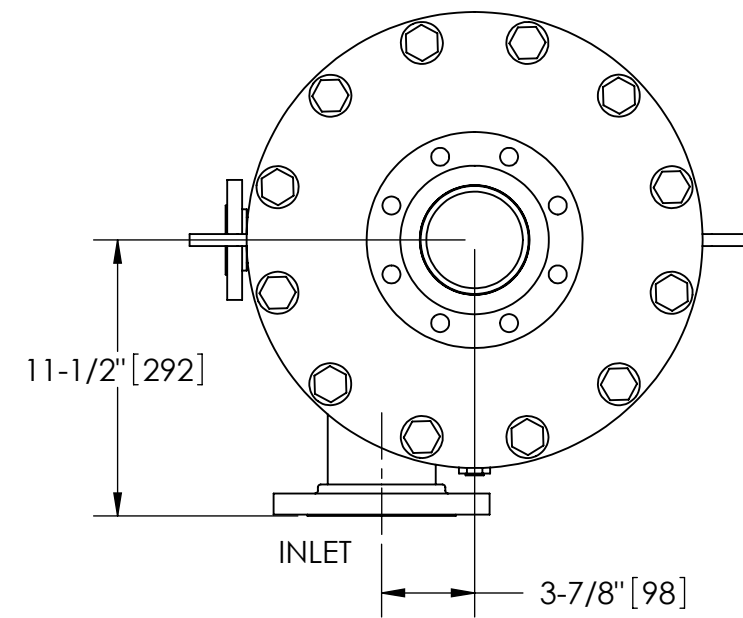
EXCEPT AS OTHERWISE PROVIDED BY CONTRACT, THIS DRAWING AND SPECIFICATIONS SHALL NOT BE REPRODUCED, COPIED OR USED AS THE BASIS FOR MANUFACTURE OR SALE OF MATTER DEPICTED HEREIN WITHOUT THE EXPRESSED WRITTEN PERMISSION OF THE CLAUDE LAVAL CORPORATION, OR ITS ASSIGNEES.

NOTES:

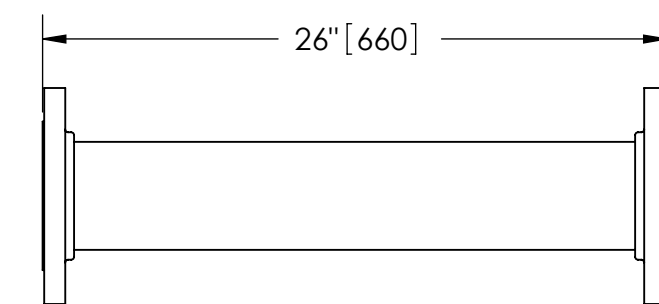
1. INLET & OUTLET FLANGES ARE 4" 150# RF PER ANSI B16.5 REQUIRING 8X ϕ 5/8" BOLTS (BOLTS AND GASKETS NOT INCLUDED).
2. MAXIMUM PRESSURE: 150 psi (10.3 bar).
3. FOR MAXIMUM TEMPERATURE, CONSULT FACTORY.
4. PRESSURE LOSS: 3-12 psid (.2-.8 bar) AT RATED FLOW.
5. RATED FLOW: 285-525 gpm (65-120 m³/hr).
6. APPROXIMATE DRY WEIGHT: 745 lbs (338 kg).
7. FINISH: POWDERCOAT LAKOS BLUE (EXTERIOR ONLY) SCOTCHKOTE 134W (INTERNAL WETTED SURFACES).

| REVISION HISTORY | | | | |
|------------------|-----|---|---------|----------|
| ZONE | REV | DESCRIPTION | DATE | APPROVED |
| | C | UPDATED UPPER CHAMBER TO NON-STOCK ITEM PER MFG | 6/27/13 | TRR |

THIS DRAWING HAS BEEN GENERATED AND IS MAINTAINED BY A CAD SYSTEM. CHANGES SHALL ONLY BE INCORPORATED AS DIRECTED BY AN APPROVED ENGINEERING CHANGE ORDER (ECO). PAPER COPIES ARE UNCONTROLLED.



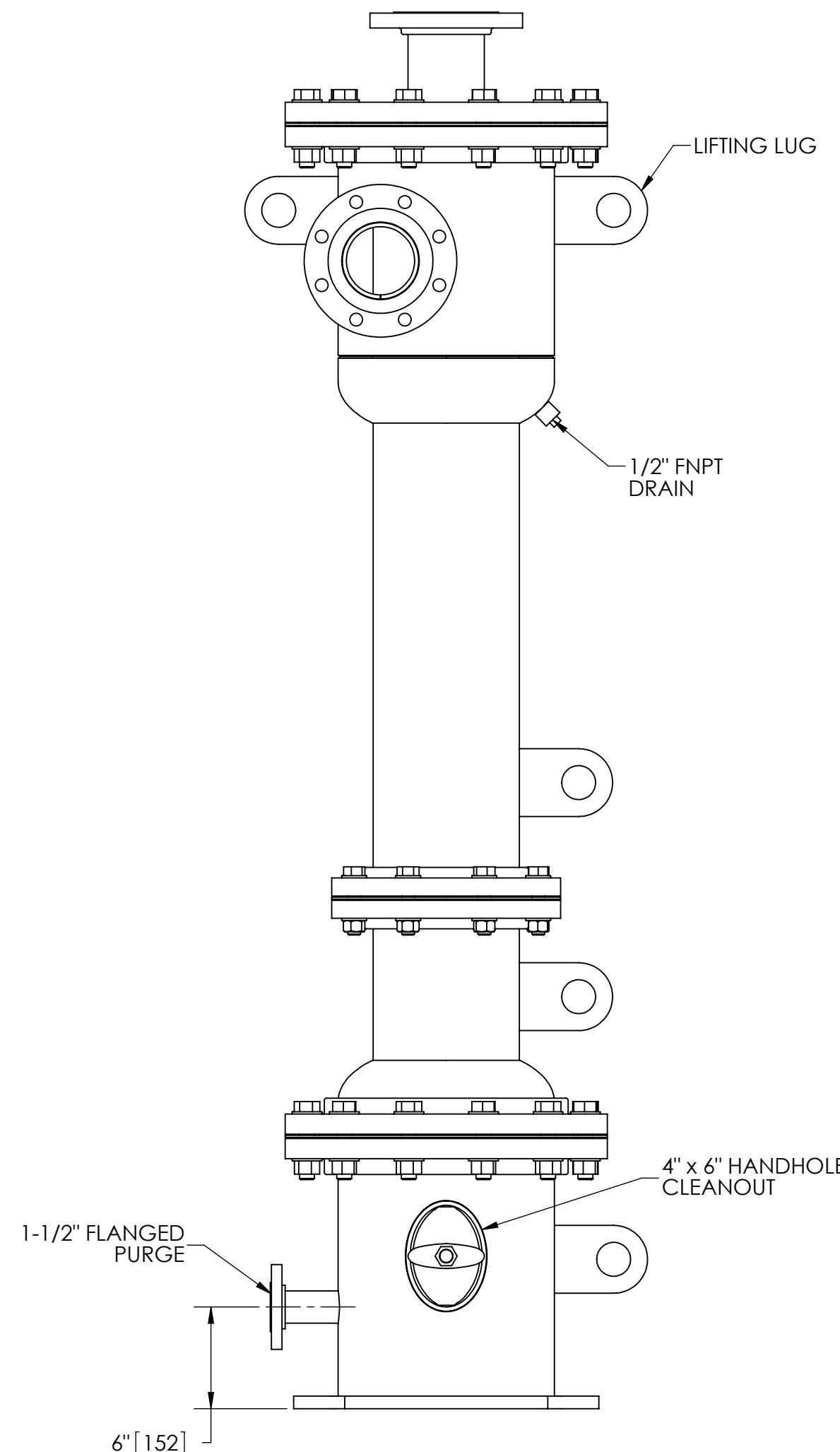
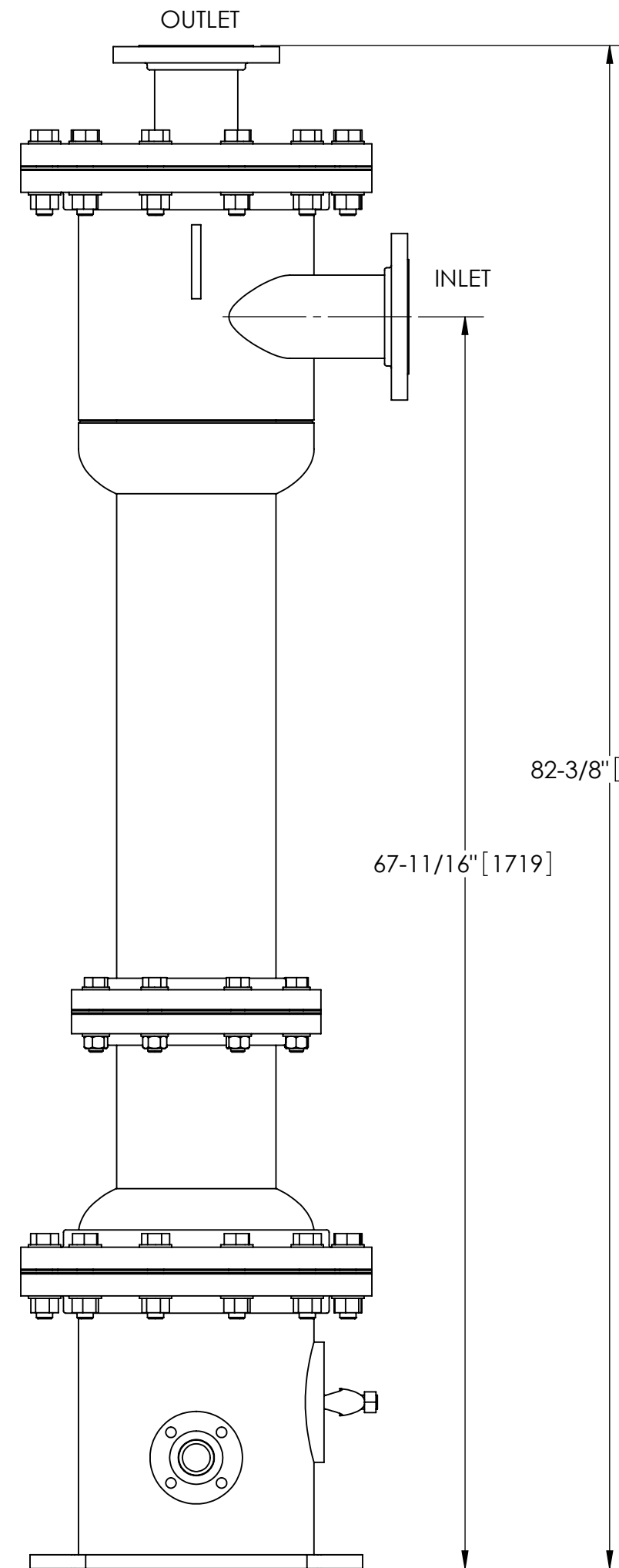
BOTTOM VIEW



FLANGED SPOOL
MODEL FS-04/SK (AVAILABLE SEPARATELY)
REQUIRED FOR REMOVAL OF TOP ASSEMBLY

SUBMITTAL DRAWING

This drawing is submitted for spatial consideration only. Do not pre-plumb to these dimensions.



| | | | | | | | | |
|---|--------------------------------|------------------------------------|------|---|--|---------------------------|----------|--------|
| UNLESS OTHERWISE SPECIFIED: DIMENSIONS ARE IN: INCHES [mm] TOLERANCES ARE: FRACTIONS DECIMALS ANGLES $\pm 1/4"$.XX $\pm .01$ $\pm 1/4^\circ$ XXX $\pm .005$ XXXX $\pm .0005$ | | ENGINEERED FOR: STANDARD | | CLAUDE LAVAL CORP. FRESNO, CALIFORNIA 93727 WWW.LAKOS.COM | | LAVAL UNDERGROUND SURVEYS | | |
| DO NOT SCALE DRAWING | | APPROVALS | DATE | TITLE | | | | |
| MATERIAL | CLASS P-1 MILD CARBON STEEL | DRAWN | DLW | 12/8/06 | JSK-0285-V, SEPARATOR, 285-525 gpm, CARBON STEEL/SCOTCHKOTE | | | |
| FINISH | SEE NOTES | ENGR | DLW | 12/8/06 | SIZE | MODEL NO. | DWG NO. | REV. |
| | | MFG | - | - | C | | 120587 | C |
| | | WORK ORDER | | QTY. | SCALE | 1:8 | EST. WT. | 745 lb |
| | | | | | SHEET | 1 OF 1 | | |

DWG NO. 120587
SHEET 1
REV. C